

**OASE GmbH**  
 Tecklenburger Straße 161  
 D - 48477 Hörstel  
 Phone: +49(0)54 54 – 800  
 Fax: +49(0)54 54 – 80 322  
 info@oase-livingwater.com  
 www.oase-livingwater.com

Vulcan 43-3 silver

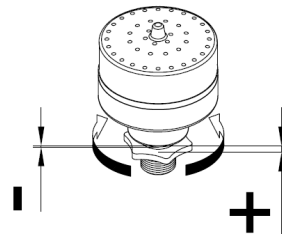
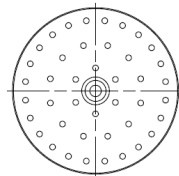
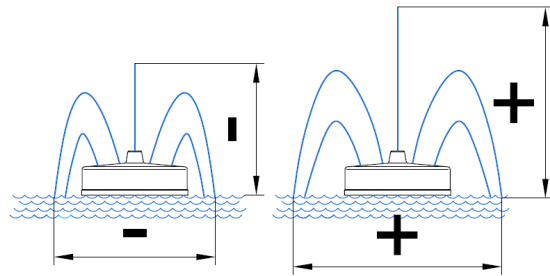
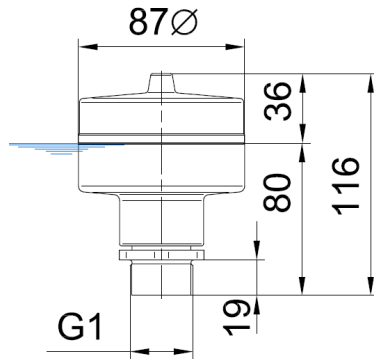
50766



Fresh water	Pool water	Sea water

**Product characteristics at glance**

- Attractive multi-stage water pattern
- Precise full jets that are stable in wind
- Fountain height is continuously adjustable
- With comet nozzles jet angles can be adjusted as well as individually (Vulcan 300/19-8 Silver)
- Water-level independent
- Easy to clean



Dimensions(ØxH) [mm]	
Fountain height	
0.50 [m]	
0.75 [m]	
1.00 [m]	
1.50 [m]	
2.00 [m]	
2.50 [m]	
3.00 [m]	
3.50 [m]	
4.00 [m]	
Material	
Weight [kg]	
Order No.	

Vulcan 43-3 silver		
	87x116	
DSD [m]	DWB [L/min.]	DDB [bar]
0.40	42	0.10
0.50	50	0.15
0.65	60	0.20
0.80	76	0.30
1.10	90	0.40
1.30	102	0.50
1.50	112	0.60
1.70	121	0.76
2.00	130	0.88
	Tombac	
	1.5	
	50766	

DSD = Nozzle spray diameter    DWB = Nozzle water demand    DDB = Nozzle pressure demand